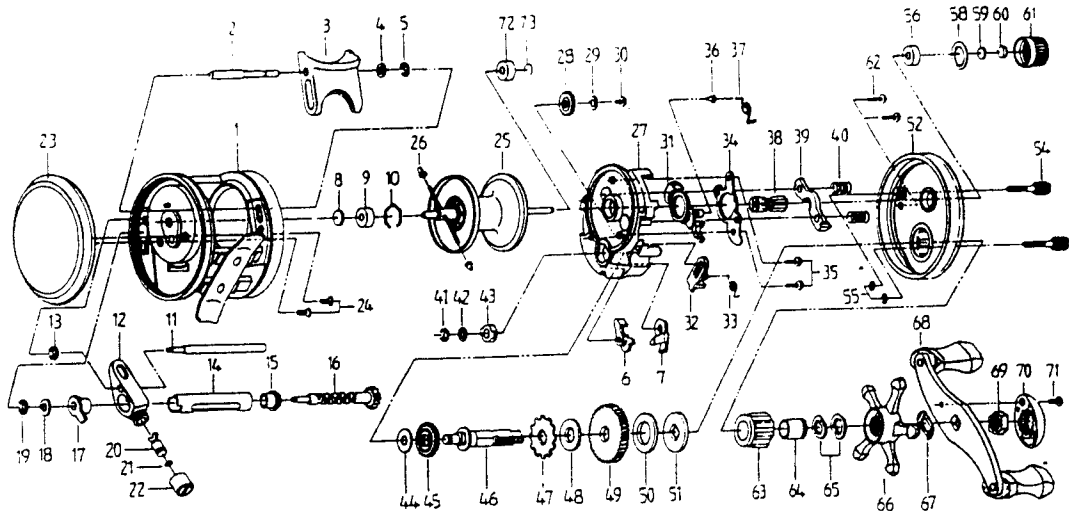


Use this parts list for ordering replacement parts for your Synergy BC4200 Reel.



Part #	Part Name	Part #	Part Name
1	Frame	37	Clutch Spring Cam
2	Clutch Bar Pin	38	Pinion Gear
3	Clutch Bar	39	Yoke
4	Washer	40	Yoke Spring
5	Retainer (2.5)	41	Retainer
6	Pawl Retainer	42	Crank Shaft Washer
7	Anti-Reverse Pawl	43	Bushing
8	Spacer A	44	O/S Gear Washer
9	Ball Bearing	45	O/S Gear
10	Bearing Retainer	46	Crank Shaft
11	Pillar	47	Kicking Ratchet
12	Level Wind	48	Drag Washer A
13	Retainer (2.0)	49	Drive Gear
14	Level Wind Guard	50	Drag Washer B
15	Worm Shaft Bus B	51	Key Washer
16	Worm Shaft	52	Right Side Cover
17	Worm Shaft Bus A	54	SUB Thumb Screw
18	Washer	55	Thumb Screw Ring
19	Retainer (2.5)	56	Oiless Bearing
20	Line Guide Pawl	58	O-Ring
21	Line Guide Washer	59	Spacer B
22	Level Wind Nut	60	Cushion Washer
23	Left Side Cover	61	SUB Cast Control Cap
24	Left Side Cover Sc	62	Right Side Cover Sc
25	Spool	63	Bushing
26	Brake Collar	64	Sleeve
27	Set Plate	65	Drag Spring Washer
28	Idle Gear	66	Star Drag
29	Washer	67	Friction Washer
30	Idle Gear Screw	68	SUB Handle
31	Clutch Cam	69	Handle Nut
32	Kick Lever	70	SUB Handle Nut Cap
33	Kick Lever Spring	71	Handle Nut Cap Sc
34	Cam Plate	72	Ball Bearing
35	Cam Plate Screw	73	Ball Bearing Ret
36	Spring Collar		